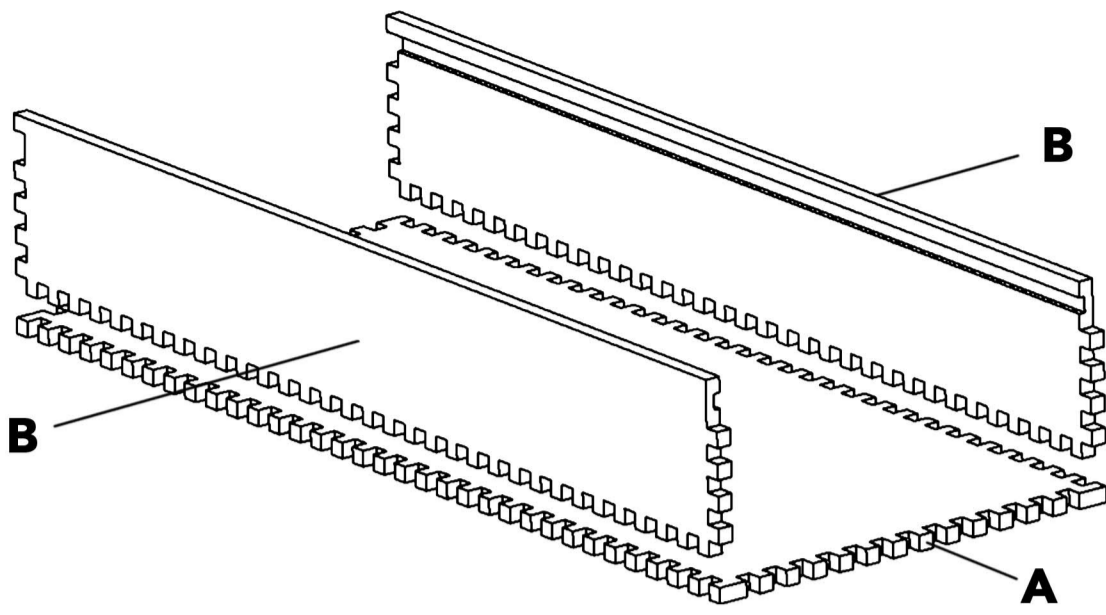
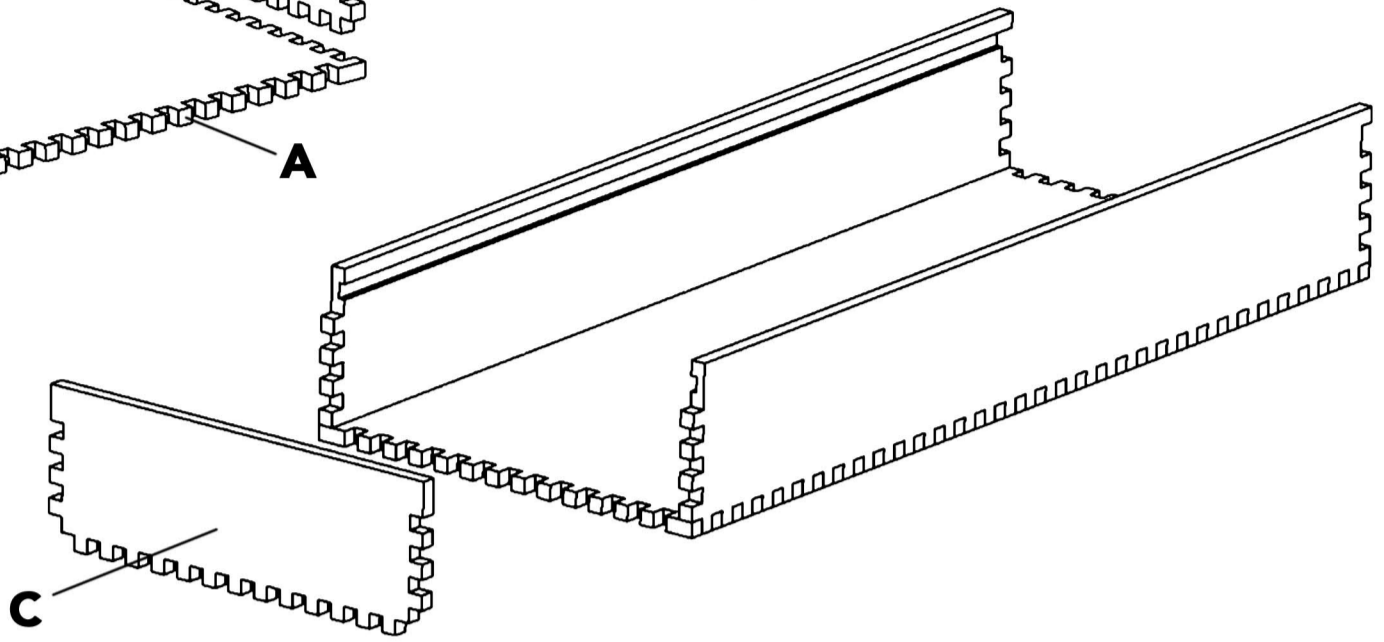


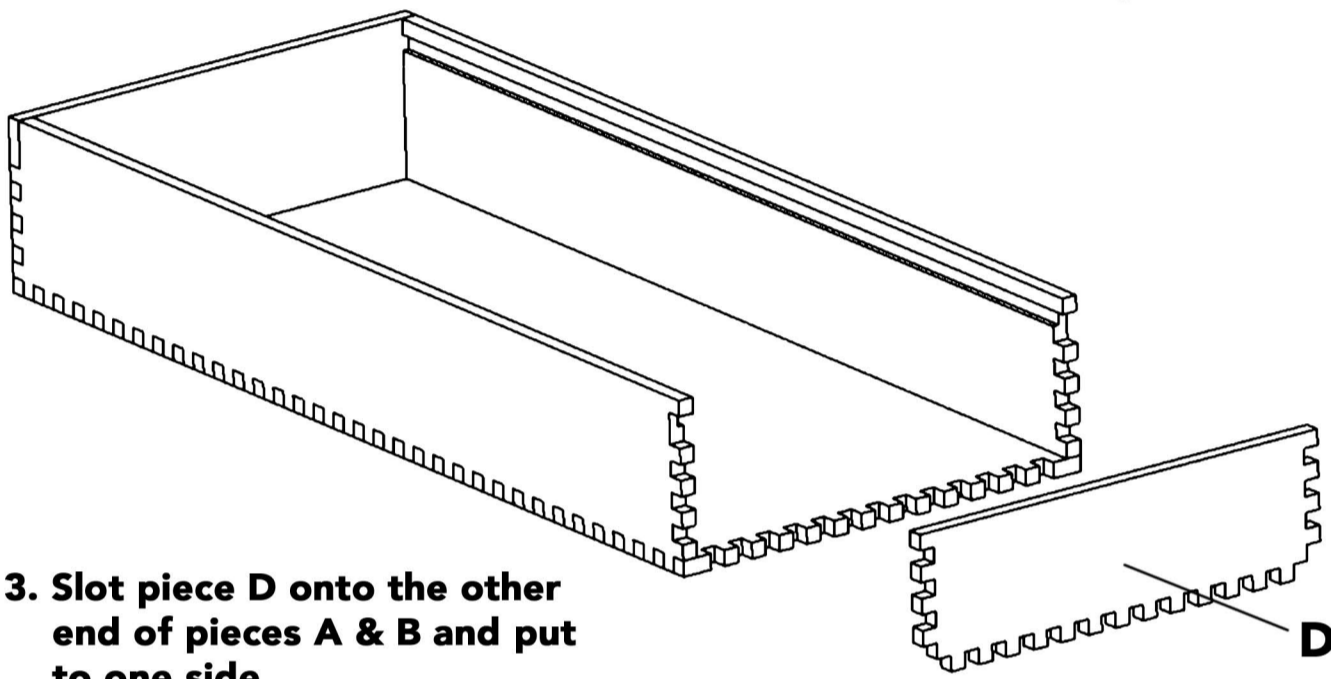
Pencil Case Instructions



1. Slot both the B pieces onto piece A, ensuring that the grooves are facing each other.

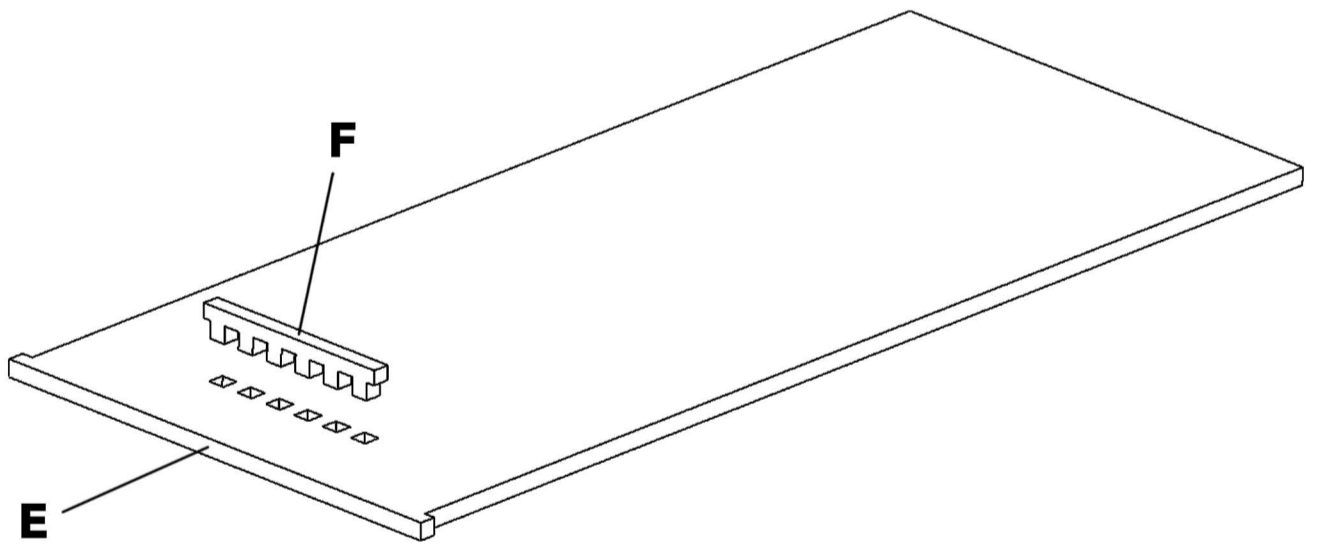


2. Slot piece C onto pieces A & B.



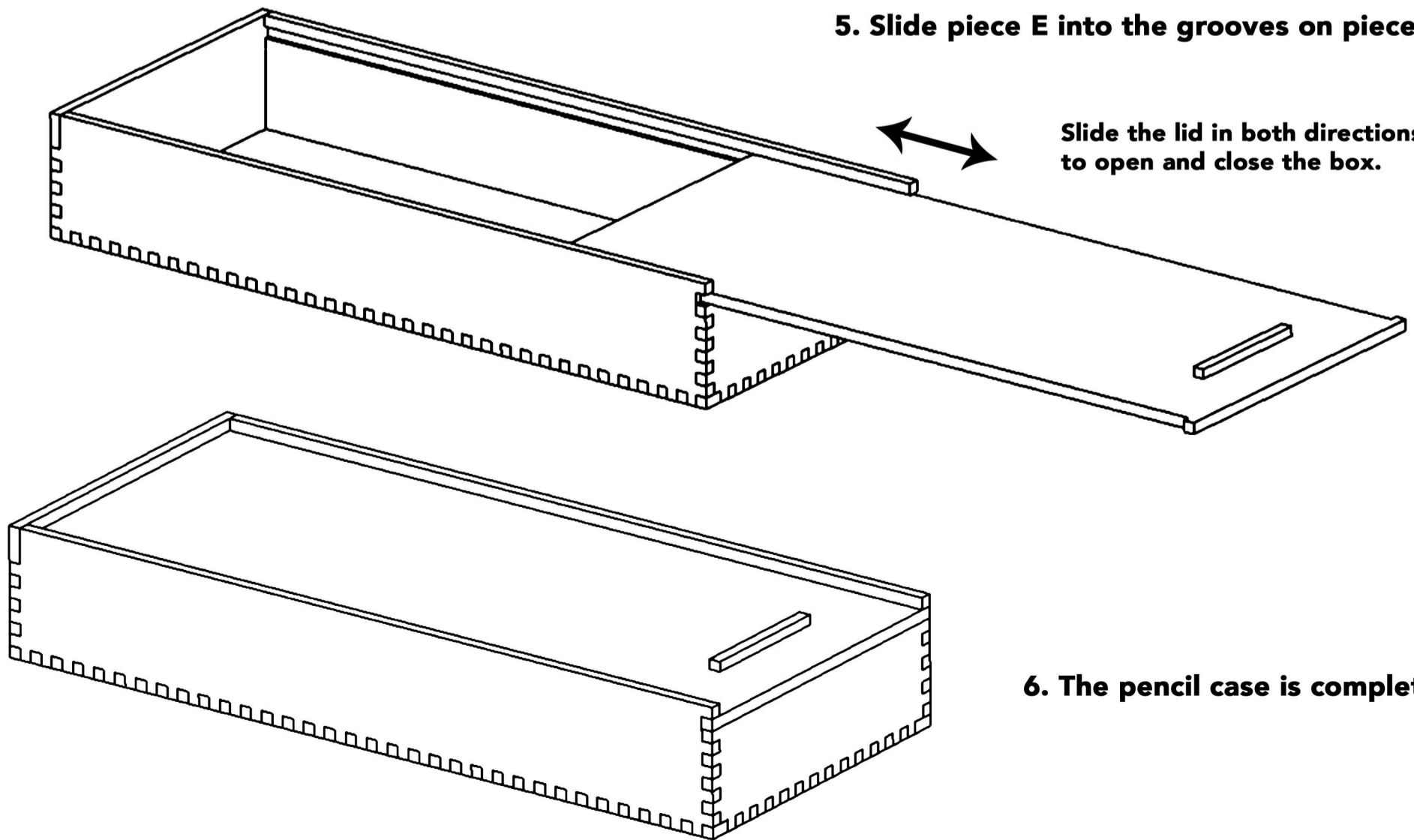
3. Slot piece D onto the other end of pieces A & B and put to one side.

4. Slot piece F into piece E, ensuring that any design is facing upwards.



5. Slide piece E into the grooves on pieces B.

Slide the lid in both directions to open and close the box.



6. The pencil case is complete.