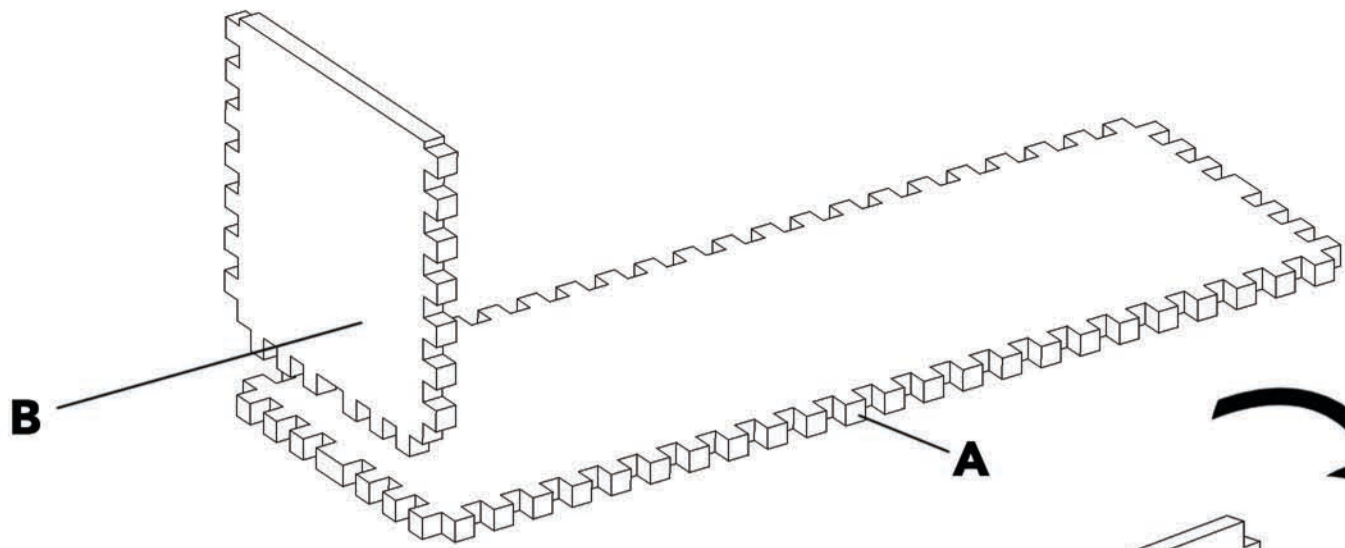
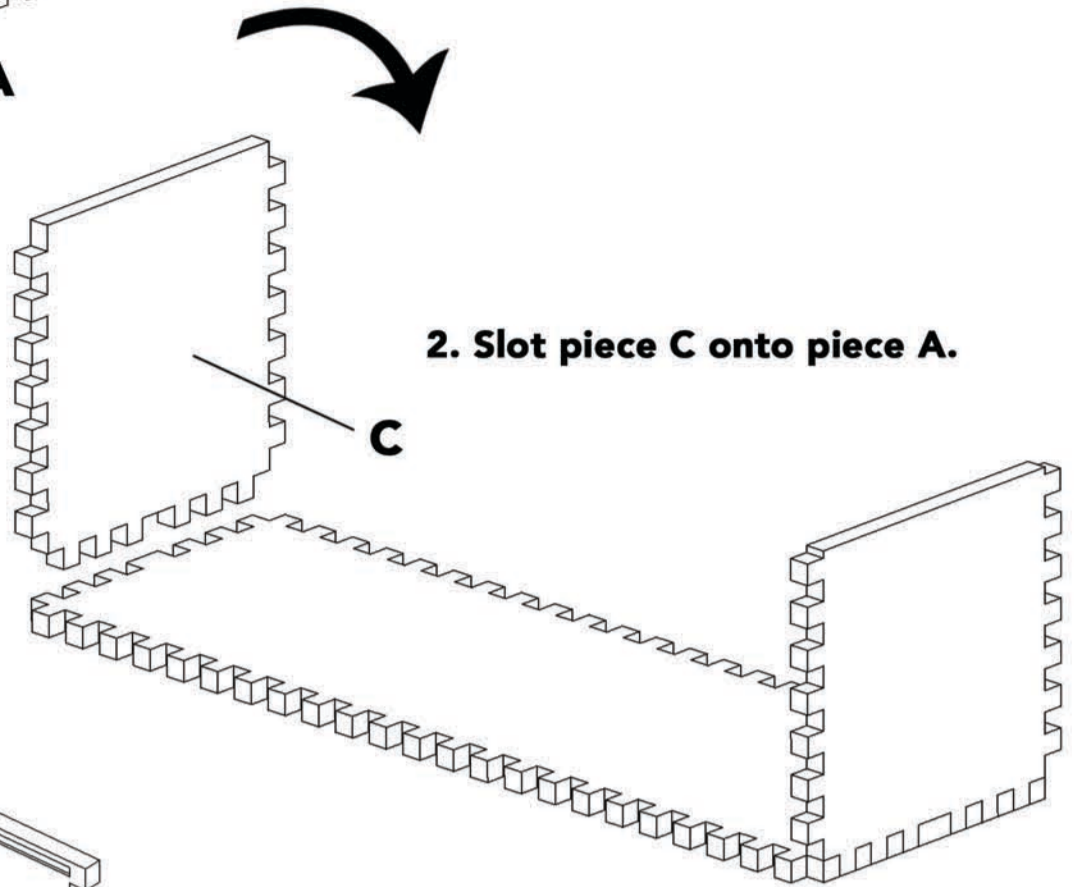


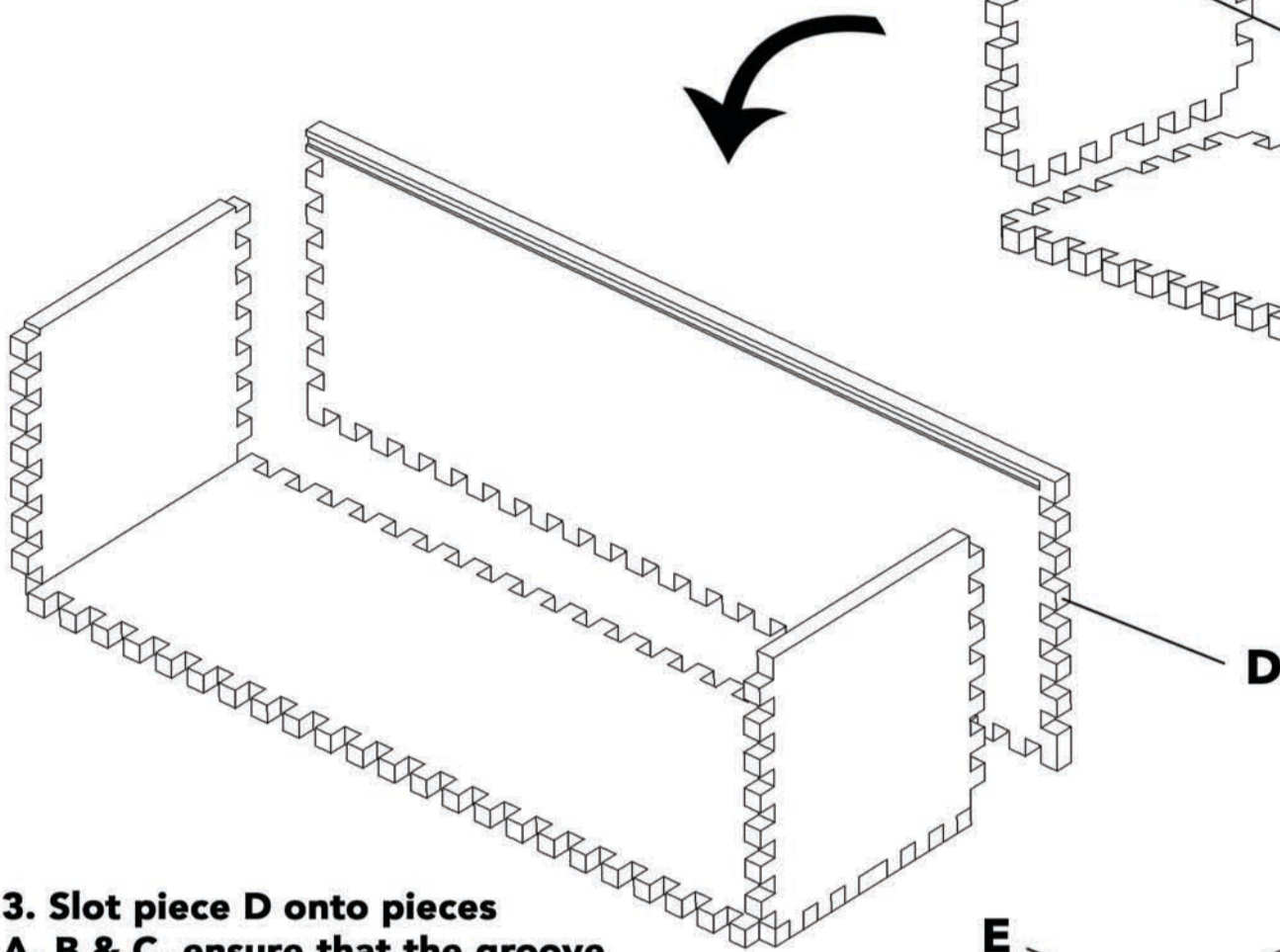
Presentation Box Instructions



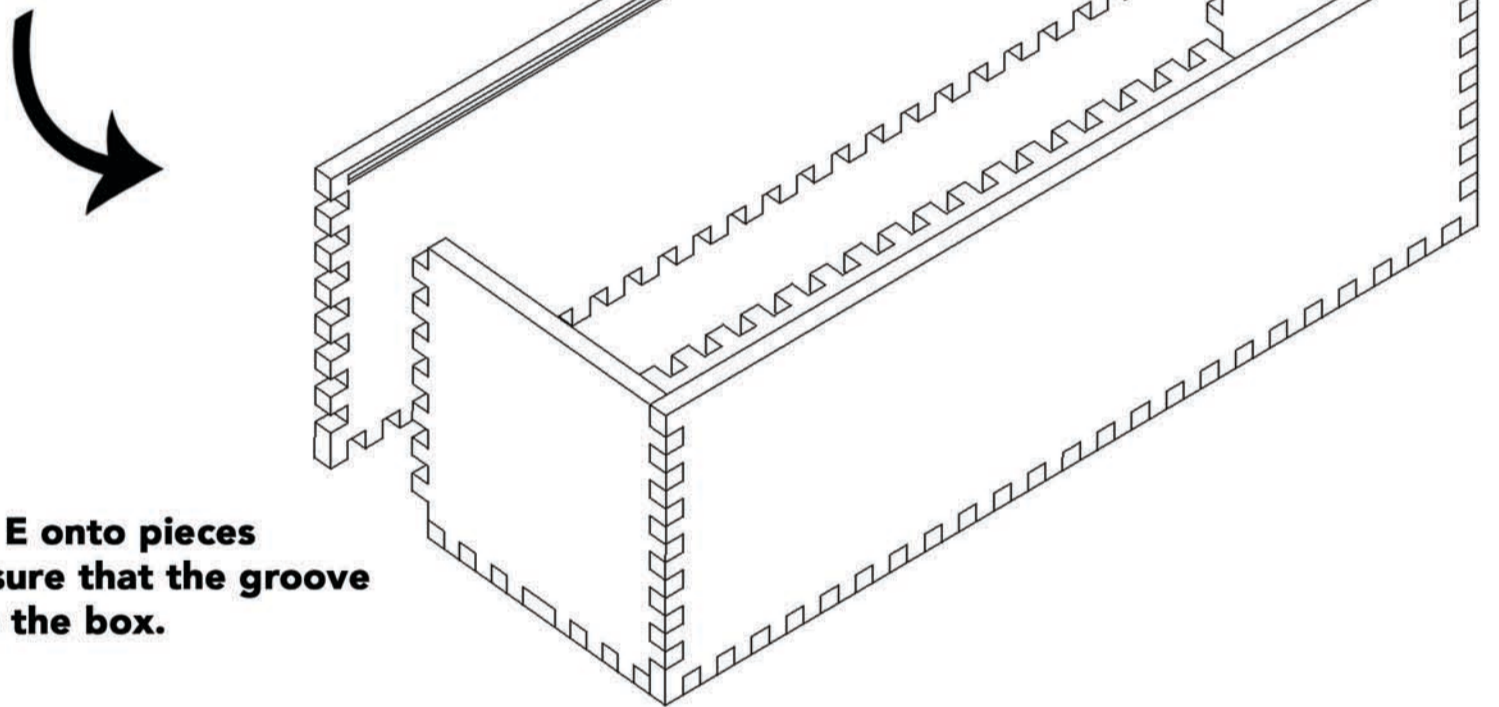
1. Slot piece B onto piece A.



2. Slot piece C onto piece A.

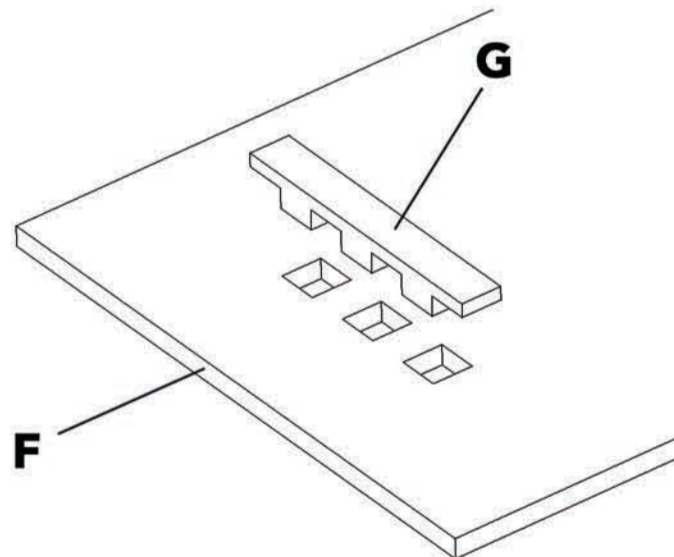


3. Slot piece D onto pieces A, B & C, ensure that the groove is facing into the box.

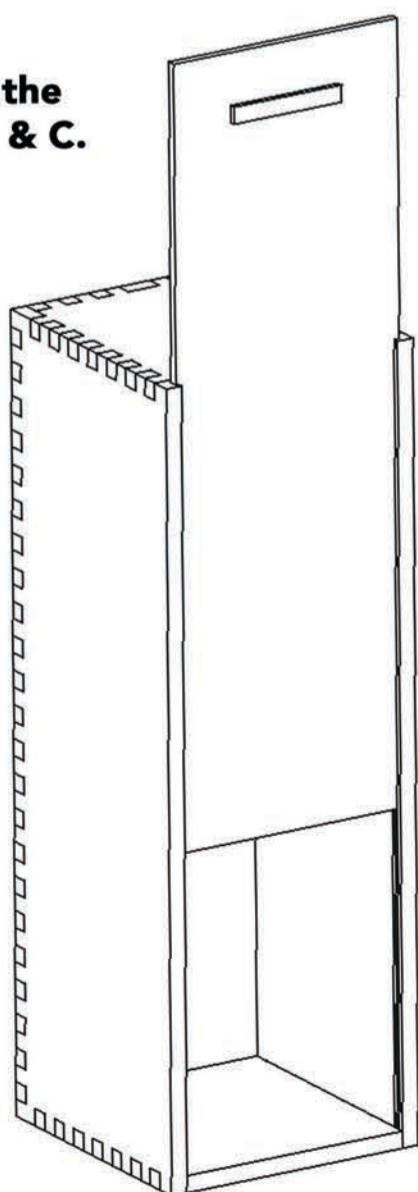


4. Slot piece E onto pieces A, B & C, ensure that the groove is facing into the box.

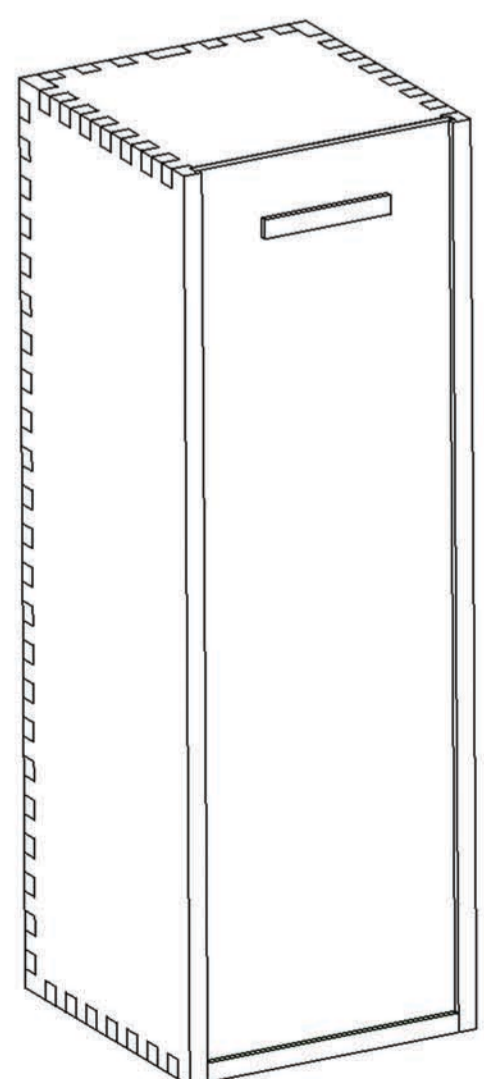
5. Slot piece G into piece F, ensuring that any design is facing upwards.



6. Slide piece F into the grooves on pieces B & C.



Slide the lid in both directions to open and close the box.



7. The presentation box is complete.